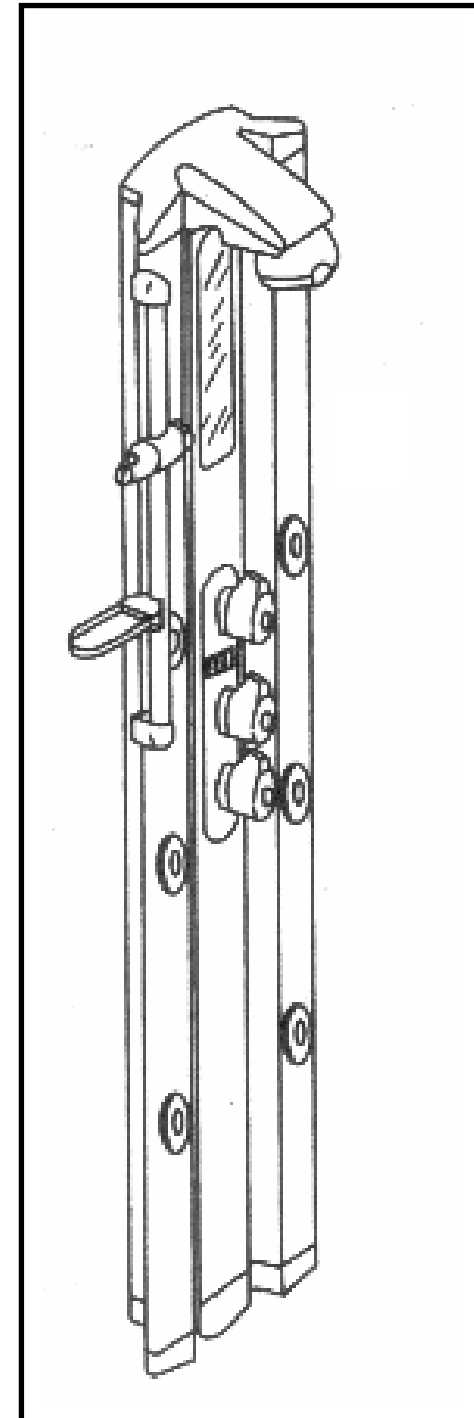


Non-Thermostatic Shower Panel

Installation instructions

Please Note: Shower panel control handles, fixed head, handset etc. may differ depending on model.

Shower Panels with approved mixer cartridges with certified 300,000 operational movements.



Dear Customer,

We would like to thank you for having chosen this product.

This Shower Panel is distinctly different from all other similar products on the market, the result both of a unique blend of function and form that endows them with characteristic personality and visual appeal.

This type of Shower Panel is the fruit of many years of research and experience, and has been created by selecting the best materials to guarantee perfect operation and lasting quality for a product that will become an irreplaceable complement to your daily well-being.

To ensure that your new purchase maintains its efficiency over the years, we recommend that you follow the enclosed Installation Instructions carefully.

Thank you once again for purchasing this product.

INSTALLATION INSTRUCTIONS:

WALL MOUNTING (see Fig No 2)

- 1. Determine the ideal height (see Figs 5,6,7) to fix Wall Bracket “B”.**
Mark the position, drill and secure bracket (specialised wall fixings may be required – not supplied).
- 2. Connect Panel “A” to the water supply.**
Note: Hot supply is on the left, Cold supply on the right as viewed looking at the wall.
- 3. Position Panel “A” against the wall and secure with the 2 off M5 x 20 screws “D” to Wall Bracket “B”.**
Note: Care MUST be taken not to trap or severely twist the flexible Stainless Steel water feed pipes as this could obstruct the flow of water.

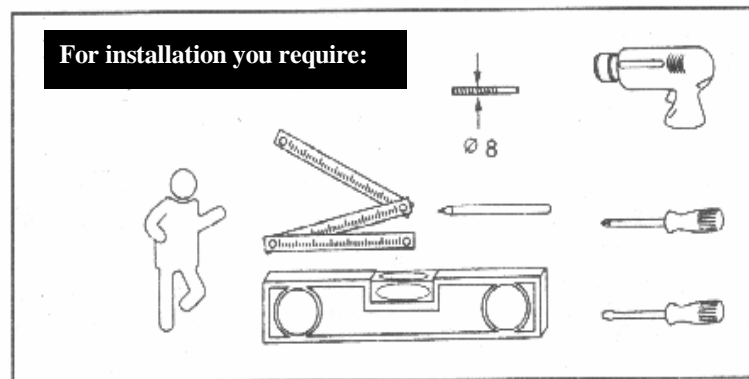
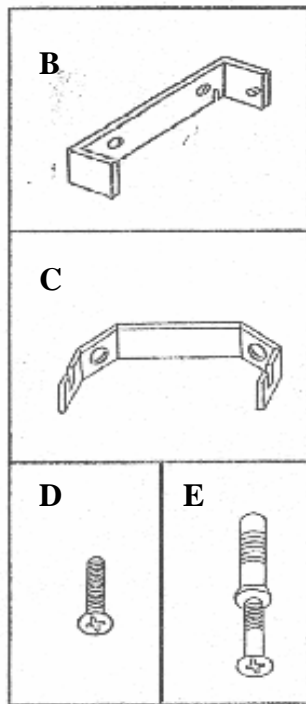
CORNER MOUNTING (see Fig No 3)

- 1. Determine the ideal height (see Figs 5,6,7) to fix Corner Wall Bracket “C”.**
Mark the position, drill and secure bracket (specialised wall fixings may be required – not supplied).
- 2. Fix Wall Bracket “B” on Panel and secure with the 2 off M5 x 20 screws “D”, if not already fitted.**
- 3. Connect Panel “A” to the water supply.**
Note: Hot supply is on the left, Cold supply on the right as viewed looking at the wall.
- 4. Position Panel “A” by hanging Wall Bracket “B” onto Corner Wall Bracket “C”.**
Note: Care MUST be taken not to trap or severely twist the flexible Stainless Steel water feed pipes as this could obstruct the flow of water.

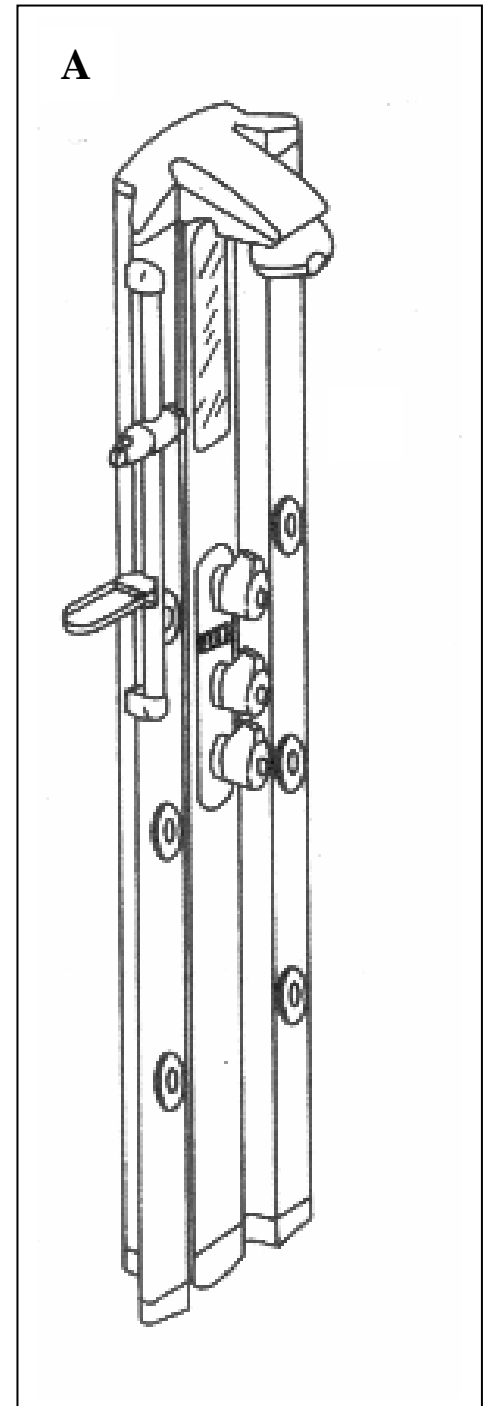
INSTALLATION EXAMPLES (see Pages 6, 7)

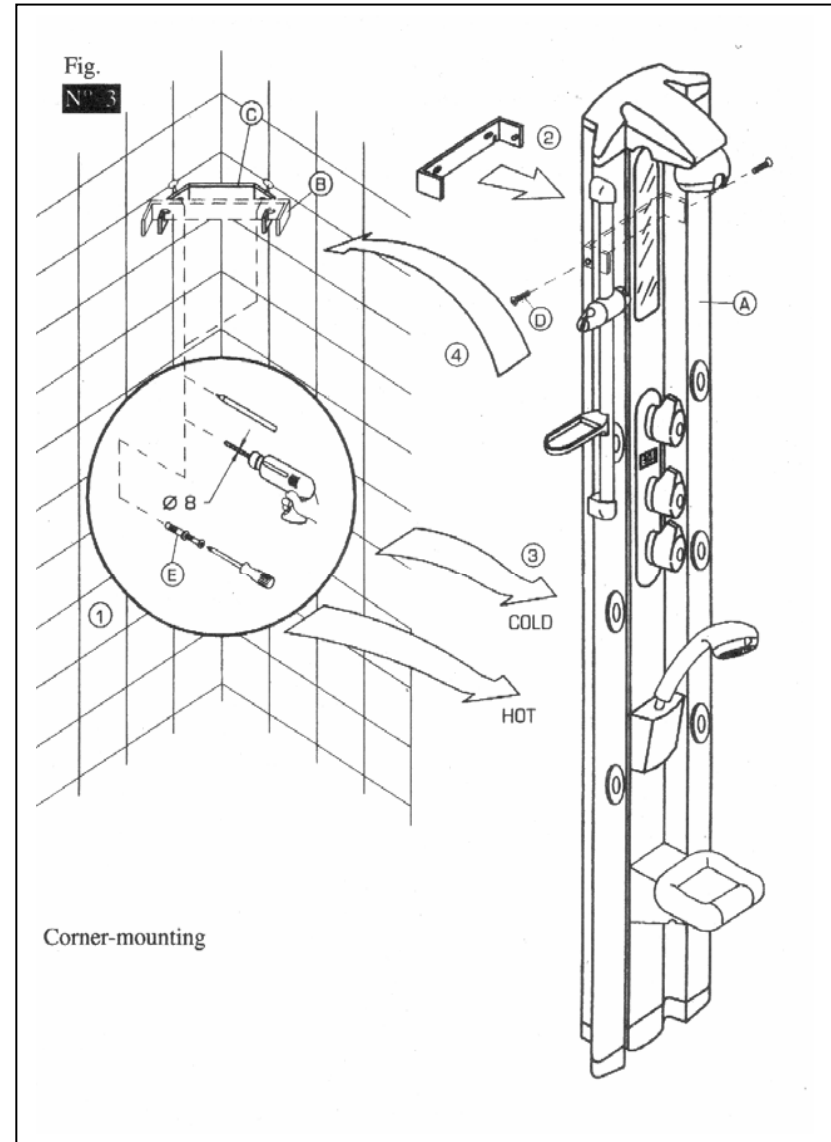
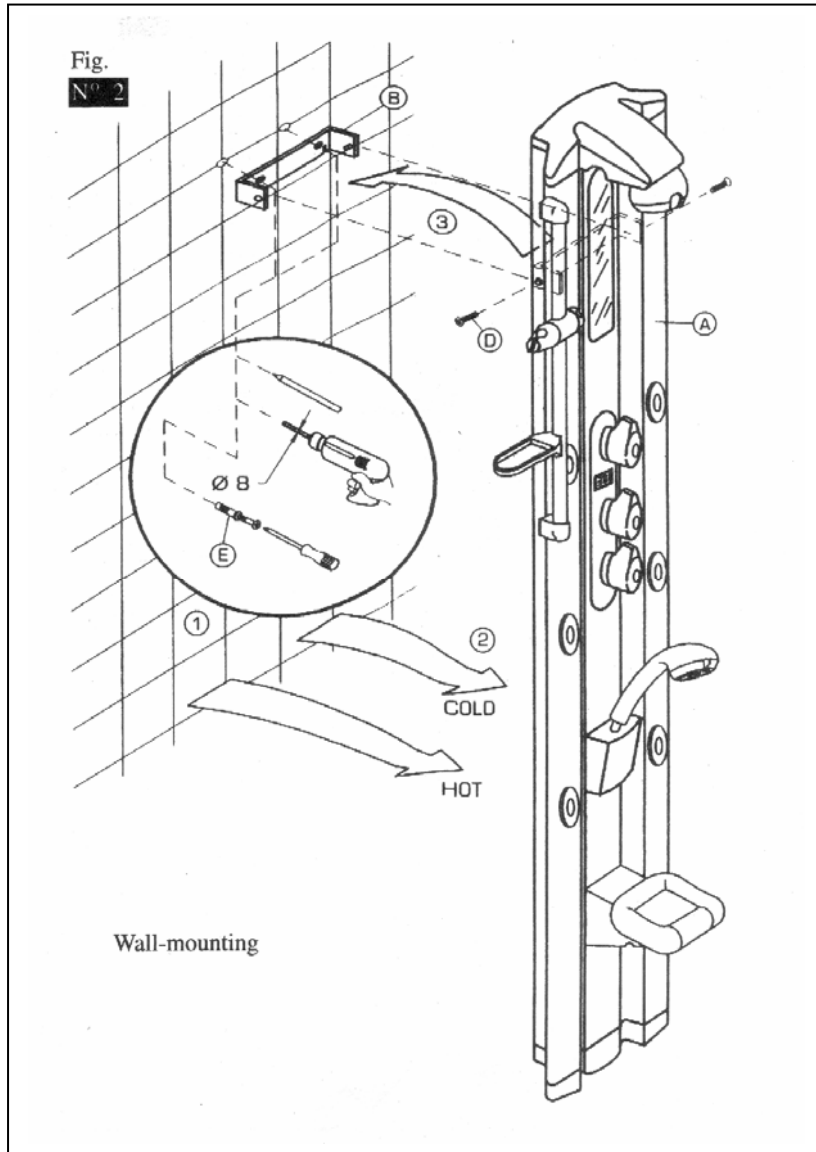
CONTENTS:

- A. Shower Panel.
- B. Wall bracket (fitted to panel).
- C. Corner wall bracket.
- D. Two M5 x 20mm countersunk headed screws (fitted to panel, securing Wall Bracket).
- E. Two screws & 8mm wall plugs.



Please Note: Shower panel control handles, fixed head, handset etc. may differ depending on model.



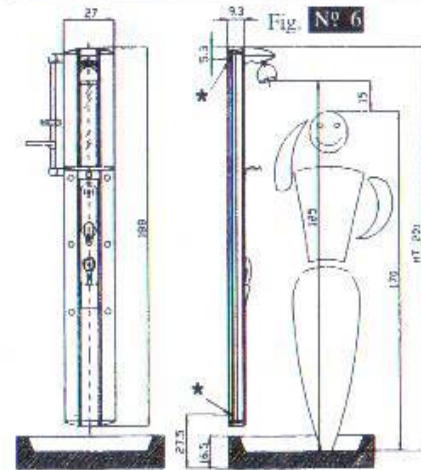
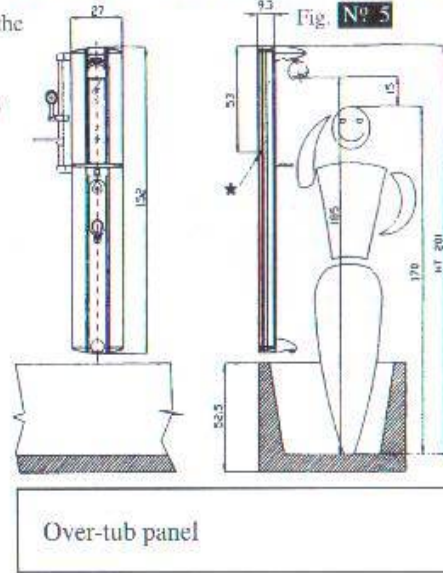


EXAMPLES OF INSTALLATION ACCORDING TO USER HEIGHT

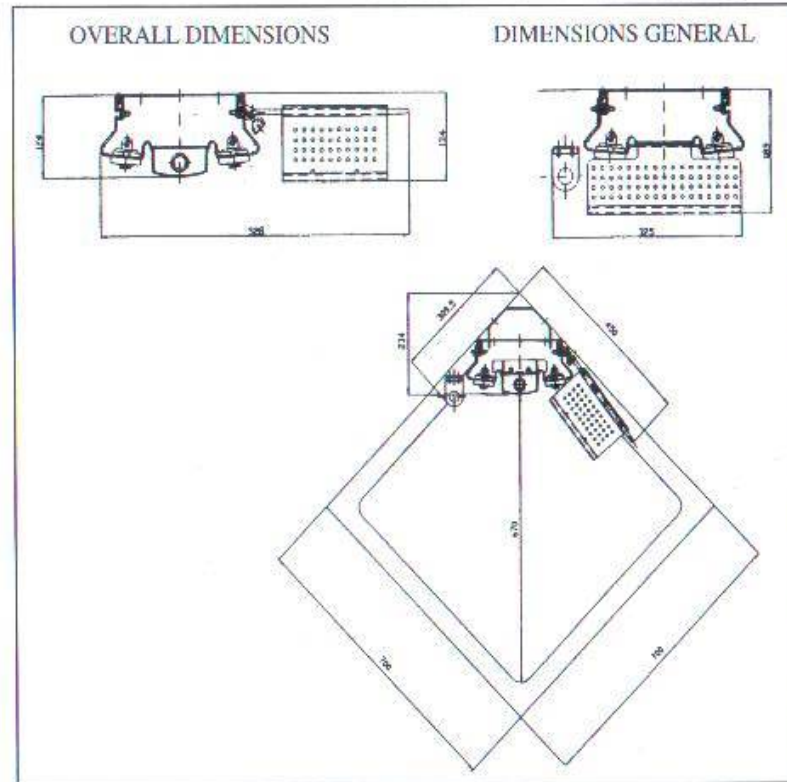
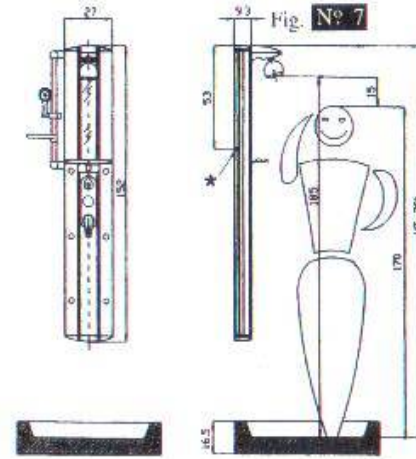
Taking average height to be 170 cm, all differences in height must be added to or subtracted from the total height shown in the diagram (HT 201) so as to determine the maximum installation height of the Column or Panel (total height = IIT).

Example 1: Height of user 178 cm (8 cm more than average height), total height shown in diagram = 201 cm + 8 cm = 209 cm, the new height to be considered.

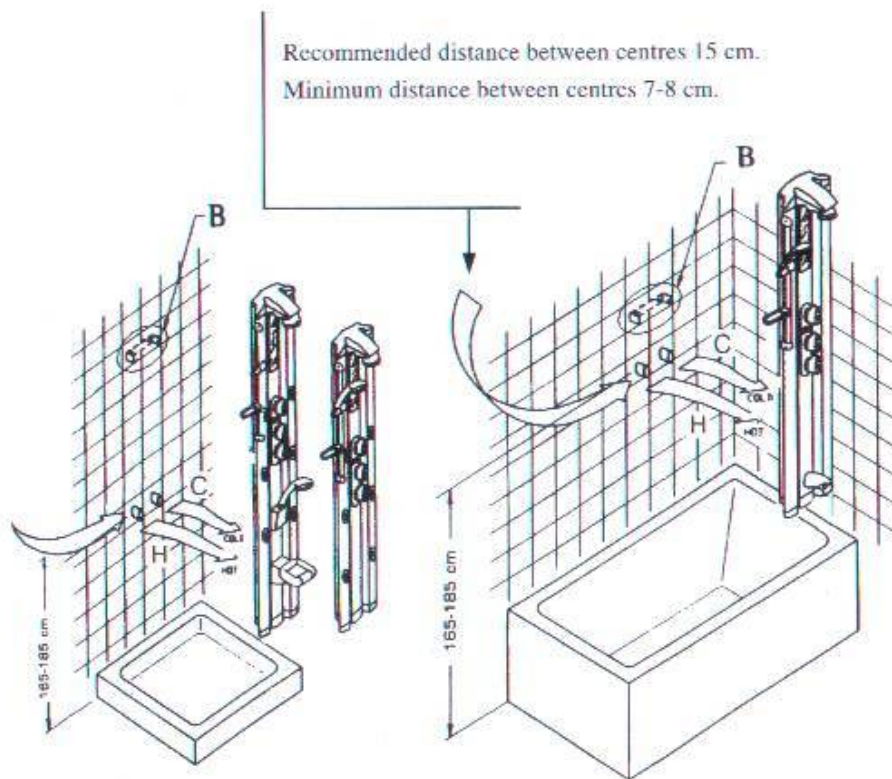
Example 2: Height of user 165 cm (5 cm less than average height), total height shown in diagram = 201 cm - 5 cm = 196 cm, the new height to be considered.



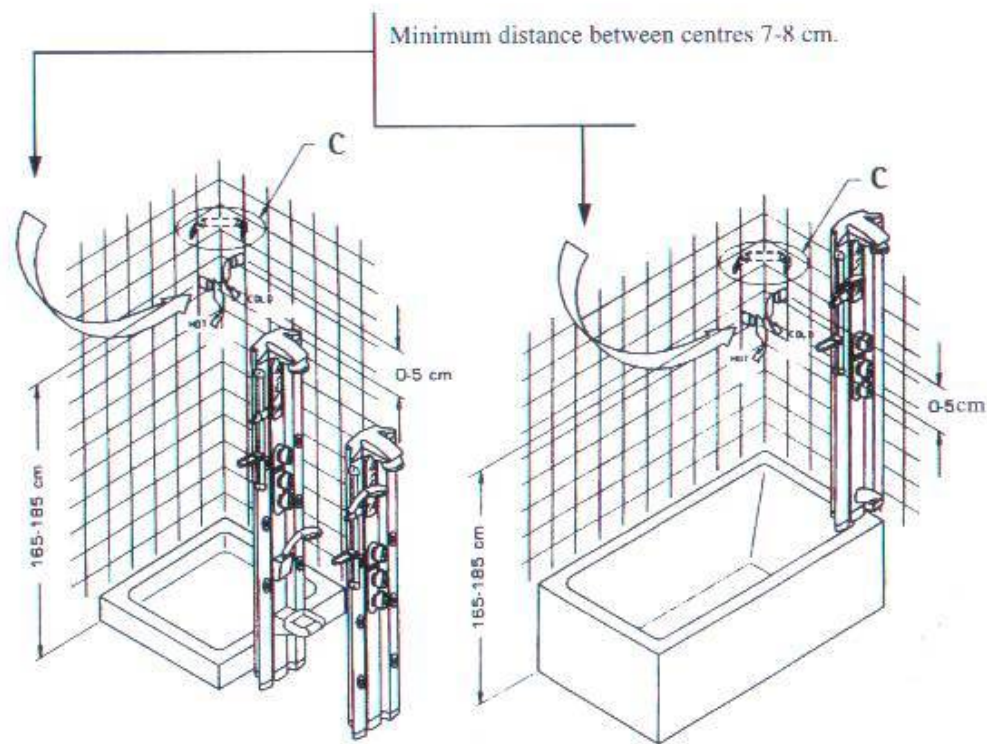
Fixing screws



EXAMPLES OF INSTALLATIONS IN NEW BATHROOMS



Wall fixing bracket



Corner fixing bracket